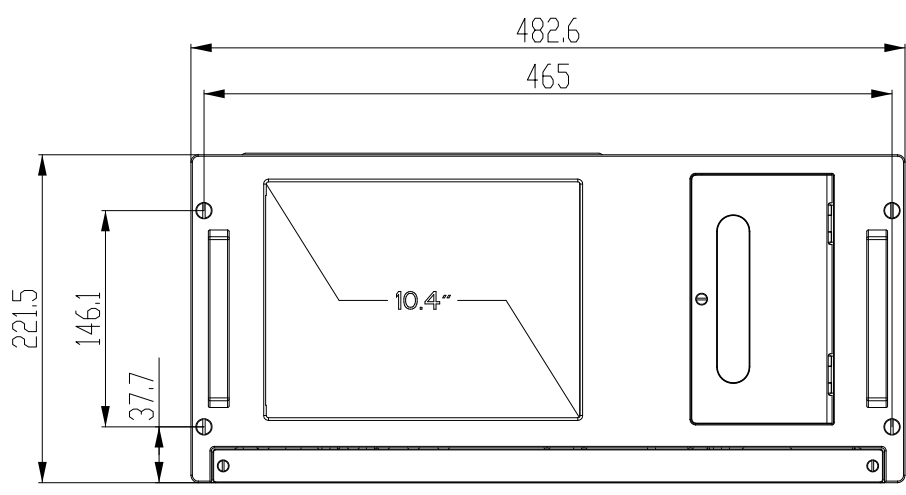
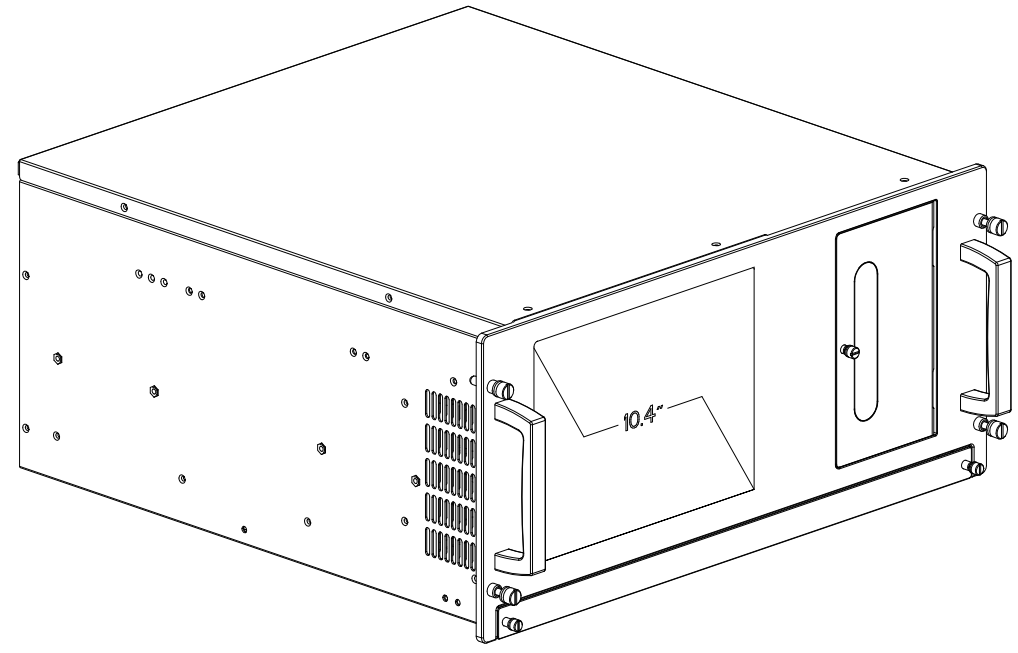
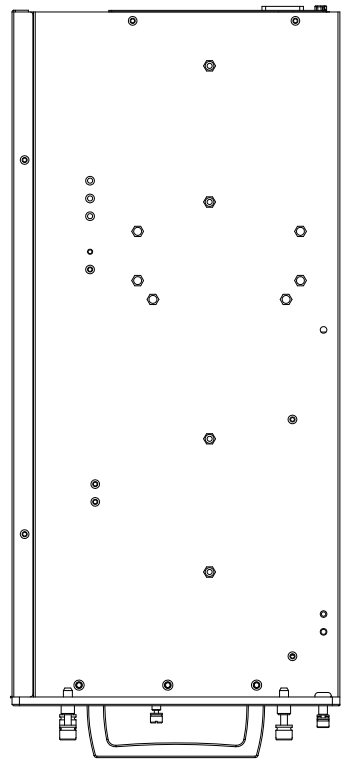
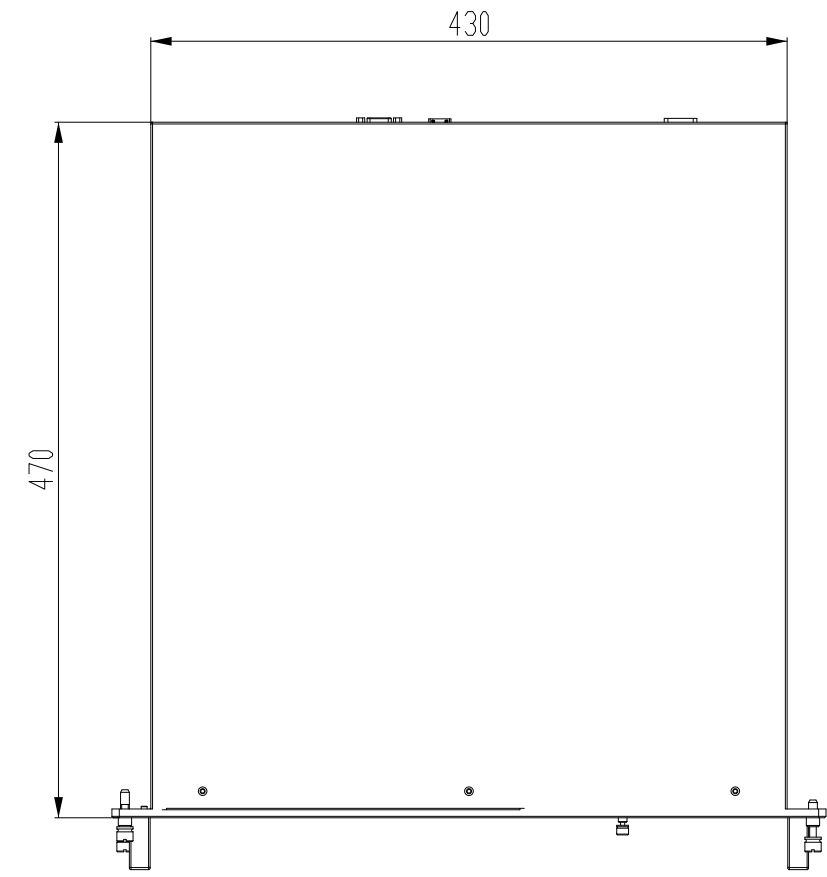
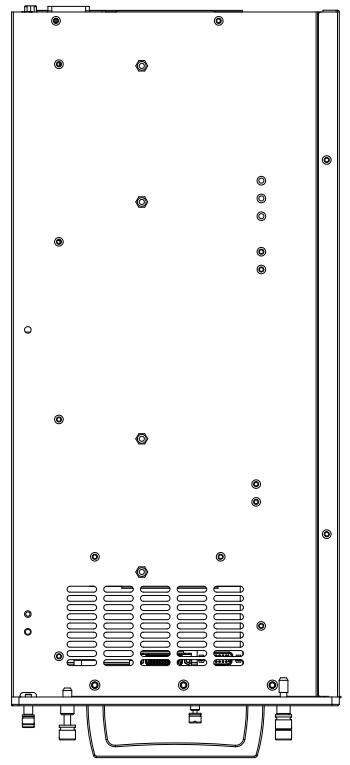
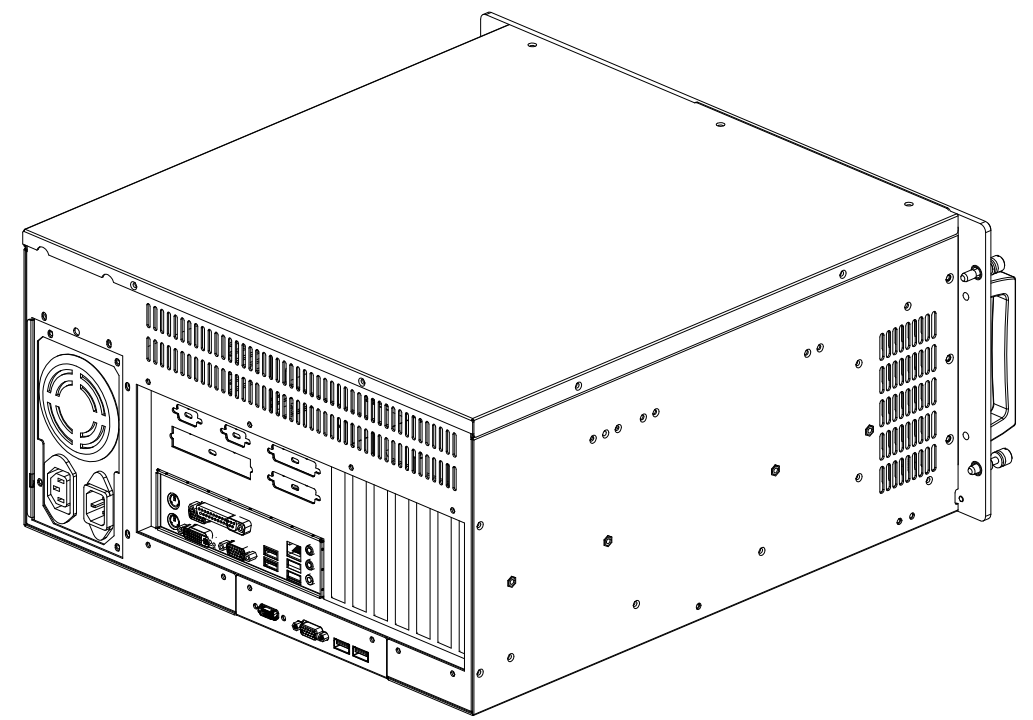
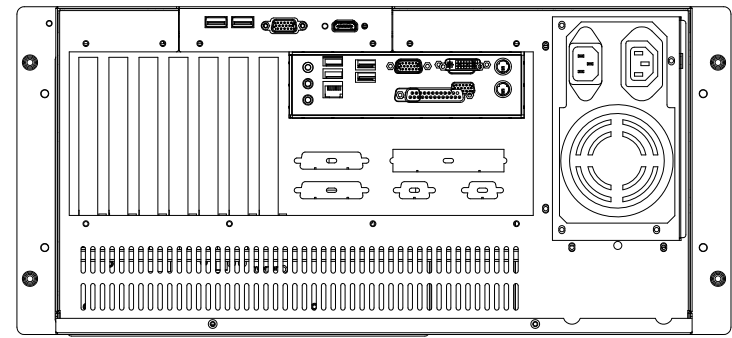


6	7	8
MARK	DATE	UPDATE DESCRIPTION
△		



 <a href="http://www.anxinpc.com">www.anxinpc.com</a>		FINISHING		PART NO.		Ver.	A0
		MATERIAL		MOLD NO.	RCWS-104N	Q'ty	1
TOL < 30 : ±0.1 30 < 120 : ±0.15 120 < 315 : ±0.2 315 < : ±0.25 ANGLE TOL : ±0.5°		APPROVED		TITLE	RCWS-104N		
		CHECKED		DRAWING NO.	RCWS-104N		
		DESIGNED	Martin	DATE	19-Apr-23	SIZE	A3
		DATE	19-Apr-23	SCALE	0.25	SHEET:	1 OF 1