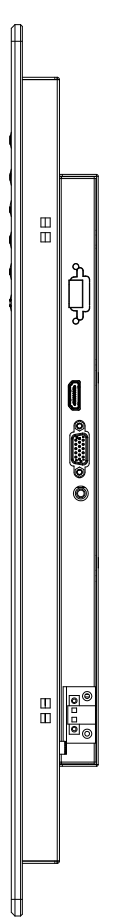
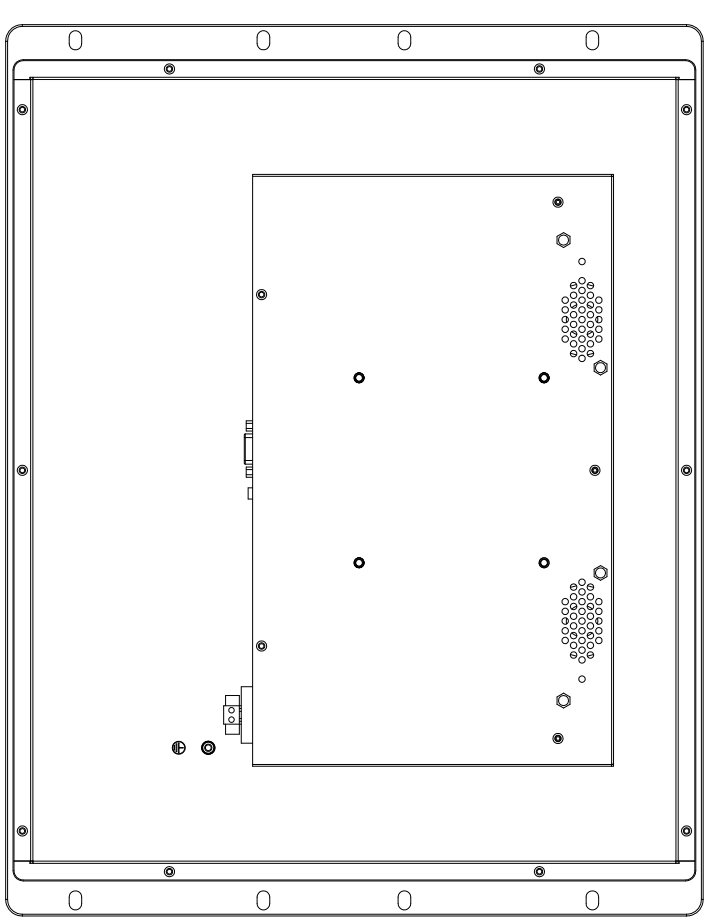
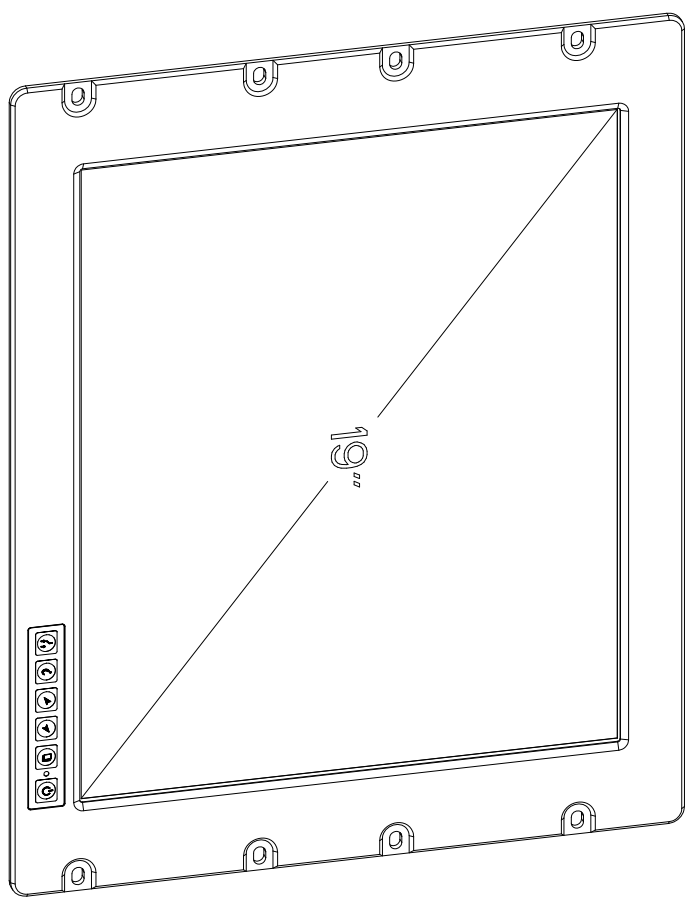
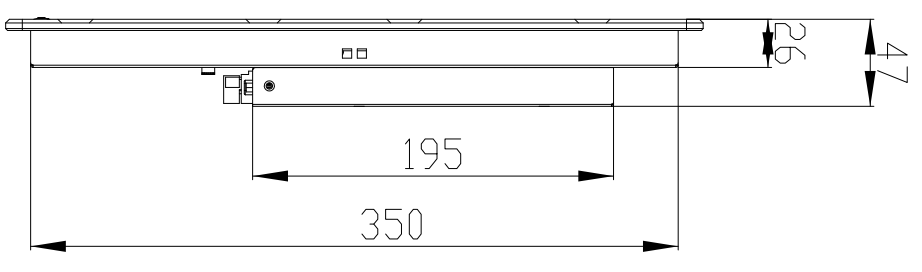
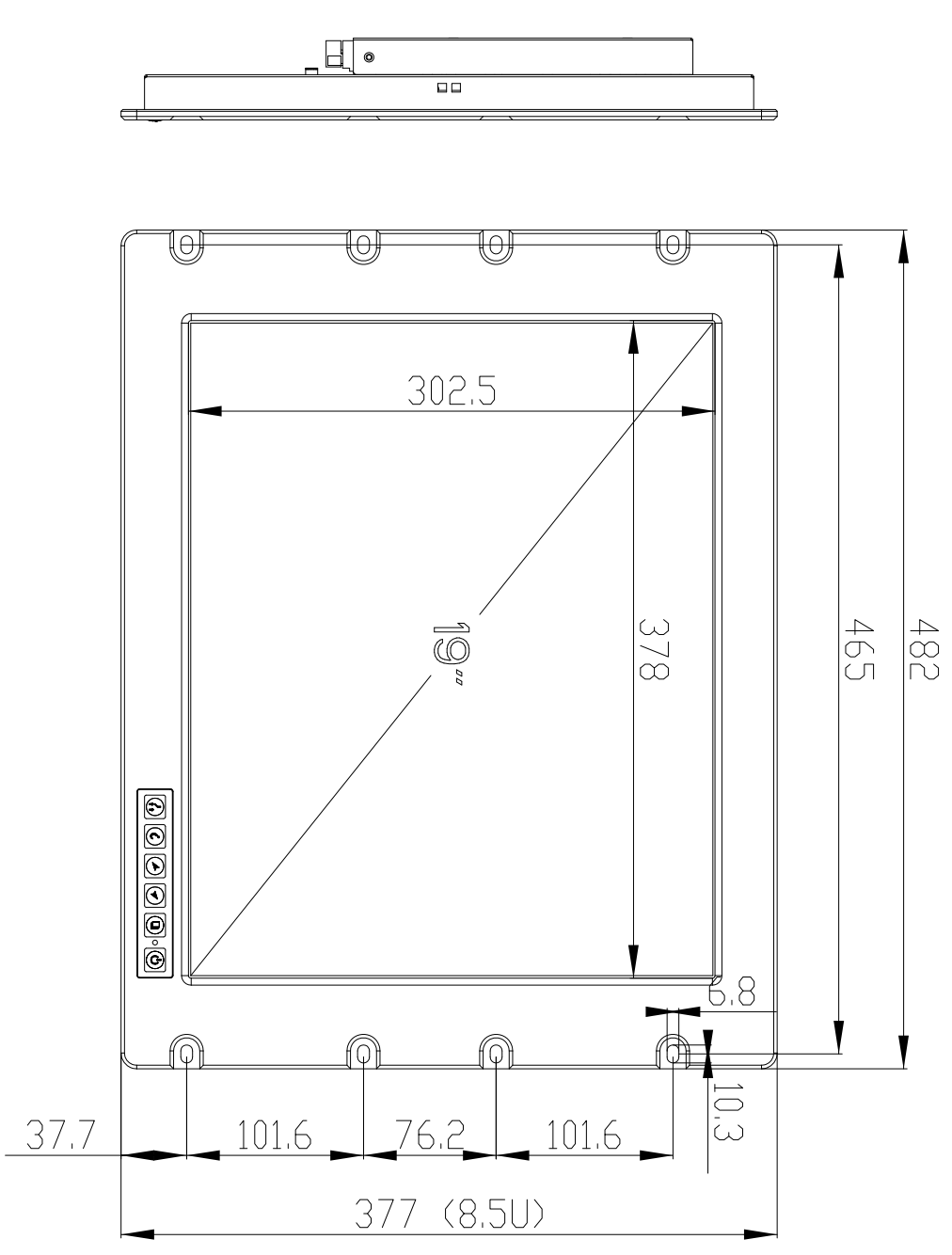
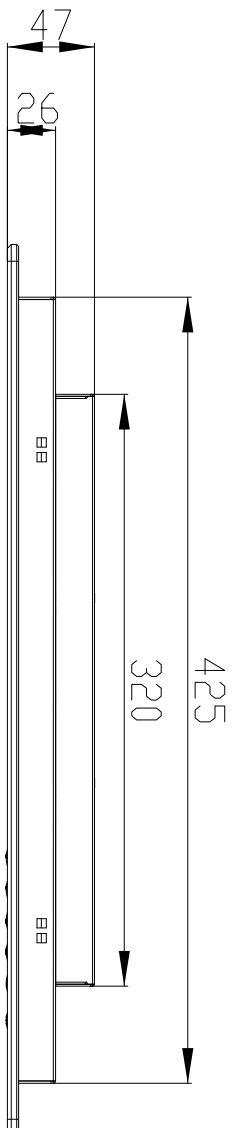


| | | | | |
|------|------|--------------------|------|----------|
| MARK | DATE | UPDATE DESCRIPTION | SIGN | APPROVER |
| △ | | | | |



* Note: this is a simplified drawing and some components are not marked in detail.
Please contact our sales representative if you need further product information.

ANXIN
www.anxinpc.com

| | | | | | | | | |
|-------------|-------|-------|-------|-------------|----------|------------|---------------|---------|
| TDL | 30 < | 120 < | 315 < | ±0.1 | ±0.15 | ±0.2 | ±0.25 | ±0.5 |
| | ANGLE | TDL | : | : | : | : | : | : |
| UNIT : mm | | | | 3RD ANGLE'S | CHECKED | DESIGNED | DATE | |
| APPROVED | | | | | | Martín | 18-Dec-24 | |
| FINISHING | | | | MATERIAL | PART NO. | MOLD NO. | RCPM-19 | Ver. A0 |
| TITLE | | | | RCPM-19 | | | | Qty 1 |
| DRAWING NO. | | | | RCPM-19 | SIZE A3 | SCALE 0.25 | SHEET: 1 OF 1 | |