

MPC-N3022

Mini Box PC, Intel i3-N305 CPU, 2x COM 2x GbE, VGA/DP/HDMI/TypeC, 5x USB, 1x Audio



Features

- Intel® i3-N305 (6M Cache, up to 3.80 GHz) processor
- 1x DDR5 4800MHz so-DIMM slot, up to 32GB
- 2x RTL8111H Gigabit ethernet controllers
- 1x M.2_WIFI/4G interface, 1x mini PCIE
- 1x SATA3.0, 1x M.2 SSD (NGFF/PCIE adaptive)
- 2x COM (RS-232), COM1 can switch to RS-485 signal
- 1x HDMI, 1xDP, 1xVGA, 1x TypeC
- 1x Audio (Line out and MIC two-in-one interface)
- 2x USB3.0, 3x USB2.0
- TPM2.0 hardware encryption(optional)
- Support Pfsense/OPNsense/Ubuntu/win10/win11

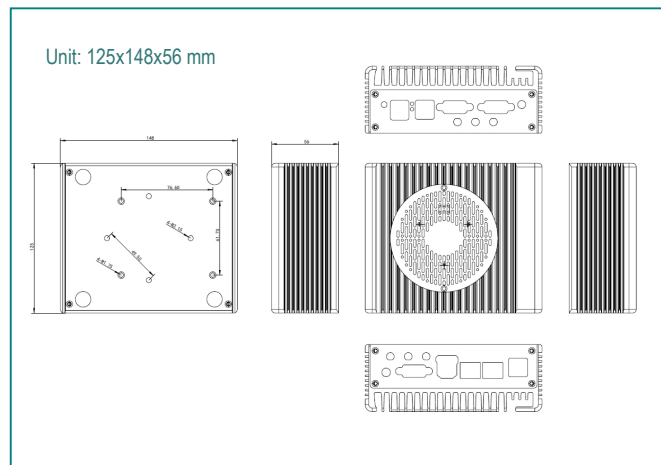
Specifications

Motherboard	
CPU	Intel® Processor i3-N305
BIOS	AMI 128M BIOS
System memory	DDR5 4800MHz so-DIMM slot
Storage	
SATA	1x SATA3.0
M.2	1x M.2 SSD (NGFF/PCIE adaptive)
Ethernet	
LAN Port	Two RJ-45 ports
Ethernet Controller	Two Realtek® RTL8111H GBE controllers
System I/O	
USB	Two USB3.0, three USB2.0
COM	COM1 RS232, COM2 RS232/RS485
Display	VGA/HDMI/DP/Type-C
Audio	One Line out and MIC two-in-one jack
Power Button	One power switch button
Indicator	One Power LED, one HDD LED
Expansion	One GPIO
TPM(optional)	TPM2.0 hardware encryption
Power supply	
Power consumption	DC 12V External power adapter
Power input	100 ~ 240V AC input
Environments	
OS support	Pfsense/OPNsense/Ubuntu/win 10/win11

Operate Temperature	-10°C ~ 60°C
Storage Temperature	-20°C ~ 70°C
Operate Humidity	5% ~ 85% non-condensing
Storage Humidity	5% ~ 95% non-condensing

Mechanical	
Chassis Color	Black
Construction	Fanless and Aluminum extrusion chassis
Dimensions (D x W x H)	125x148x56 mm
Weight	1.5 kg

Dimensions Diagram



Ordering Informations

MPC-N3022

Fanless Box PC, Mini size aluminum extrusion chassis, Intel N305 CPU, 2x GbE LAN, 2x COM, 1XDP, 1x HDMI, 1x TypeC, 5x USB, 1x Audio, DC 12 input