

MPC-N1024

Fanless mini box PC, Intel N100 CPU, 4x i226 LAN, 2x COM, 2xHDMI, 6x USB, 1x SIM



Features

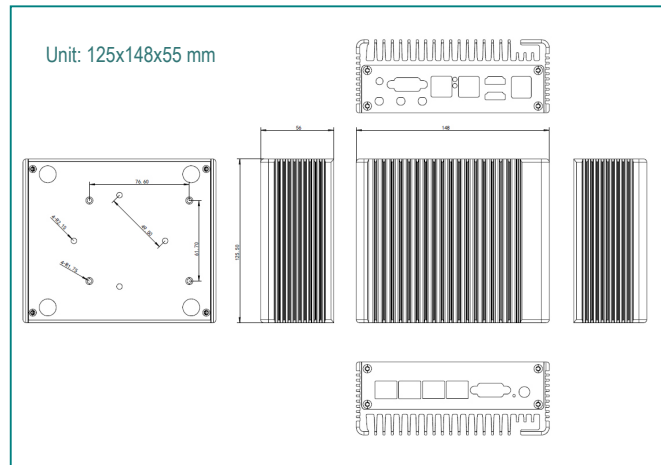
- Intel® N100 (6M Cache, up to 3.40 GHz) processor
- 1x DDR5 4800MHz so-DIMM slot, up to 16GB
- 4x Intel i226 2.5G controllers
- 1x M.2_WIFI/4G interface, 1x mini PCIE
- 1x SATA3.0, 1x M.2 SSD (NGFF/PCIE adaptive)
- 2x COM (RS-232), COM1 can switch to RS-485 signal
- 2x HDMI
- 2x USB3.0, 4x USB2.0
- TPM2.0 hardware encryption (optional)
- DC 12V power supply
- Supports Pfsense/OPNsense/Ubuntu/win10/win11

Specifications

Motherboard	
CPU	Intel® Processor N100
BIOS	AMI 128M BIOS
System memory	DDR5 4800MHz so-DIMM slot
Storage	
SATA	1x SATA3.0
M.2	1x M.2 SSD (NGFF/PCIE adaptive)
Ethernet	
LAN Port	Four RJ-45 ports
Ethernet Controller	Four Intel i226 2.5G network Controllers
System I/O	
USB	Two USB3.0, Four USB2.0
COM	COM1 RS232, COM2 RS232/RS485
Display	Two HDMI, one 15-pin EDP
Audio	None
Power Button	One power switch button
Indicator	One Power LED, one HDD LED
TPM(optional)	TPM2.0 hardware encryption
Expansion	One SIM
Power supply	
Power consumption	DC 12V External power adapter
Power input	100 ~ 240V AC input
Environments	
OS support	Pfsense/OPNsense/Ubuntu/win 10/win11

Operate Temperature	-10°C ~ 60°C
Storage Temperature	-20°C ~ 70°C
Operate Humidity	5% ~ 85% non-condensing
Storage Humidity	5% ~ 95% non-condensing
Mechanical	
Chassis Color	Black
Construction	Fanless and Aluminum extrusion chassis
Dimensions (D x W x H)	125x148x55 mm
Weight	1.5 kg

Dimensions Diagram



Ordering Informations

MPC-N1024

Box PC, Mini size aluminum extrusion chassis, Intel N100 CPU, 4x 2.5GbE LAN, 2x COM, 2x HDMI, 6x USB, 1x SIM, DC 12 input