

# MPC-J4122

Mini Box PC, Intel J4125CPU 2x COM, 2x GbE, VGA HDMI, 6x USB, 1x Audio



## Features

- Intel Celeron J4125 quad-core processor
- 1x DDR4 2400MHz so-DIMM slot, up to 16GB
- 1x SATA, 1x mSATA
- 2x Realtek RTL8111H GbE controllers, support wake-on-LAN/PXE
- 2x COM (RS-232), COM1 can switch to RS-485 signal
- 1x HDMI and 1xVGA/HDMI
- 4x USB3.0, 2x USB2.0
- 1x Audio (Line out and MIC two-in-one interface)
- 1x WiFi or 4G module (optional)
- DC 12 power supply
- Support Pfsense/OPNsense/Ubuntu/win 10/win11

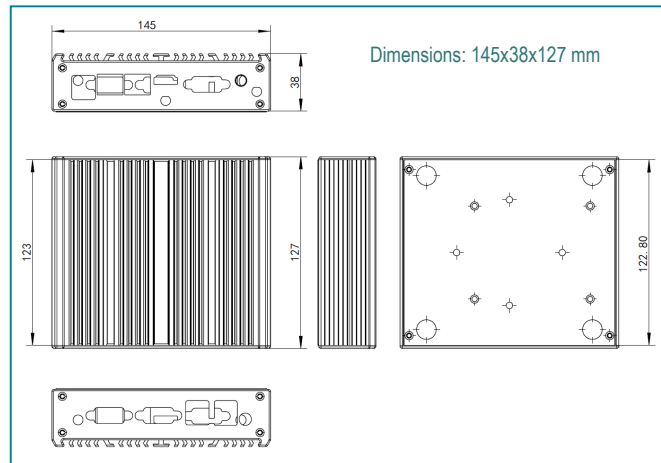
## Specifications

Motherboard	
CPU	Intel® Processor N100
BIOS	64Mb Flash ROM
System memory	DDR4 2400MHz so-DIMM
Storage	
SATA	One SATA3.0
MSATA	One mSATA3 socket
Ethernet	
LAN Port	Two RJ-45 ports
Ethernet Controller	Two Realtek® RTL8111H GBE controllers
System I/O	
USB	Two USB3.0, Four USB2.0
COM	COM1 RS232, COM2 RS232/RS485
Display	One HDMI, One VGA
Audio	One Line out and MIC two-in-one jack
Power Button	One power switch button
Indicator	One Power LED
GPIO	4-Channel digital input/output
Expansion	One Mini PCIe
Power supply	
Power consumption	DC 12V External power adapter
Power input	100 ~ 240V AC input
Environments	
OS support	Pfsense/OPNsense/Ubuntu/win 10/win11

Operate Temperature	-10°C ~ 60°C
Storage Temperature	-20°C ~ 70°C
Operate Humidity	5% ~ 85% non-condensing
Storage Humidity	5% ~ 95% non-condensing

Mechanical	
Chassis Color	Black
Construction	Fanless and Aluminum extrusion chassis
Dimensions (W x H x D)	145x38x127 mm
Weight	1.4 kg

## Dimensions Diagram



## Ordering Informations

### MPC-J4122

Mini Box PC, Aluminum extrusion chassis, Intel Celeron J4125 CPU, 2x COM, 2x GbE LAN, 1xVGA, 1x HDMI, 6 USB, 1x Audio, DC 12 input