

## Industrial Panel PC A Series

*RD,OEM and manufacture industrial computer, industrial lcd monitor, IPC chassis, Rugged computer, single board computer, etc.*



## Shanghai Anxin Intelligent Technology CO.,LTD.

 +86-21-64377916

 +86-21-64377973

 sales@anxinpc.com    annxinpc@gmail.com

 08D Floor 10, Caoxi North road NO 41, XuJiaHui, Shanghai, China

# Industrial Panel PC A Series

## *Table Of Contents*

<b>IPC-08A</b>	
<b>8.4" LCD 800x600 Industrial Panel PC with touch screen.....</b>	<b>2-1</b>
<b>IPC-10A</b>	
<b>10.4" LCD 800x600 Industrial Panel PC .....</b>	<b>2-3</b>
<b>IPC-12A</b>	
<b>12.1" LCD 1024x768 Industrial Panel PC .....</b>	<b>2-5</b>
<b>IPC-15A</b>	
<b>15" Industrial Panel PC with Intel Celeron J1900 CPU .....</b>	<b>2-7</b>
<b>IPC-17A</b>	
<b>17" Industrial Panel PC with 6xCOM 2xLAN 1xVGA&amp;HDMI .....</b>	<b>2-9</b>
<b>IPC-19A</b>	
<b>19" Industrial Panel PC with Intel Celeron J1900 CPU .....</b>	<b>2-11</b>

# IPC-08A

8.4" LCD 800x600 Industrial Panel PC with touch screen



## Features

- 8.4" SVGA TFT LCD Panel support 800x600 pixels
- 6 mm Aluminum front bezel with resistive touch screen
- Intel Celeron J1900 Quad Core 2.0G CPU
- Supports Windows XP, Win7/Win8/Win10, Linux
- 2\*COM , 1x HDMI, 1xVGA, 4xUSB(1 usb 3.0), 2xLAN, 1x AUDIO, MIC
- 1\* Mini PCIe slot for wifi optional
- Standard DC 12V input (optional Wide range DC 9-36V input)
- Panel ( Flush ) mount with clips
- Standard VESA 100mm holes support stand , wall mount and swing arm

## Specifications

System	
Processor	Intel Celeron J1900 CPU
Chipset	Intel Bay trail SOC
Memory	DDR3 2G RAM(MAX 8G)
Graphic	Intel HD chipset
Storage	HDD 1TB (SSD optional)
Ethernet	2 x 100/1000 LAN ports
Vedio	1 x VGA
Audio	1x Mic-in, 1x Line-out
USB Port	4 x USB2.0
Serial Port	2*COM (1* RS232,1*RS422/485)
Keyboard/Mouse ports	2x PS/2
Parallel ports	1 x LPT (SPP/EPP/ECP port)
Power switch	1 x Power Switch
Expansive Slot	1 x Mini PCIe
Power supply	1 x DC input terminal connector
Construction	Front aluminum bezel and steel chassis

LCD Panel	
Display Type	8.4" SVGA TFT LCD(LED backlight)
Resolution	800 x 600
Max.color	16.2M
Luminance	250 cd/m2
View Angle	160°(H) , 140°(V)
Pixel Pitch	0.213 x 0.213 mm
Contrast Ratio	600:1
Response Time	30 ms
LCD MTBF	50, 000hrs

Touchscreen	
Type	Resistive Touchscreen with internal USB interface controller
Resolution	Continuous
Light Transmission	80% or more
Surface hardness	3H
Operating Force	≤100g
Life Expectancy	35 Millions





## Features

- 10.4" SVGA TFT LCD Panel support 800x600 pixels
- 6mm Aluminum front bezel with resistive touch screen
- Intel Celeron J1900 Quad Core 2.0G CPU
- Supports Windows XP, Win7/Win8/Win10, Linux
- 3xCOM(2\*S232,RS422/RS485) , 1x LPT, 2x PS/2, 1xVGA, 4xUSB2.0, 2xLAN, 1x Audio, MIC
- 1\* Mini PCIe slot for wifi optional
- Standard DC 12V input (Optional Wide range DC 9-36V input)
- Panel (Flush) mount with clips
- Standard VESA 75/100mm support stand , wall mount and swing arm

## Specifications

System	
Processor	Intel Celeron J1900 CPU
Chipset	Intel Bay trail SOC
Memory	DDR3 2G RAM(MAX 8G)
Graphic	Intel HD chipset
Storage	HDD 1TB (SSD optional)
Ethernet	2 x 100/1000 LAN ports
Vedio	1 x VGA
Audio	1x Mic-in, 1x Line-out
USB Port	4 x USB2.0
Serial Port	3*COM (2* RS232,1*RS422/485)
Keyboard/Mouse ports	2x PS/2
Parallel ports	1 x LPT (SPP/EPP/ECP port)
Power switch	1 x Power Switch
Expansive Slot	1 x Mini PCIe
Power supply	1 x DC input terminal connector
Construction	Front aluminum bezel and steel chassis

LCD Panel	
Display Type	10.4" SVGA TFT LCD
Resolution	800x 600
Max.color	16.2M
Luminance	250 cd/m2
View Angle	140°(H) , 110°(V)
Pixel Pitch	0.264 x 0.264 mm
Contrast Ratio	600:1
Response Time	35 ms
LCD MTBF	50,000hrs

Touchscreen	
Type	Resistive Touchscreen with internal USB interface controller
Resolution	Continuous
Light Transmission	80% or more
Surface hardness	3H
Operating Force	≤100g
Life Expectancy	35 Millions

# IPC-10A

## Mechanical and Environmental

Dimensions (WxHxD)	287.4 x 227.4 x 68mm
Weight	Net: 4.5kg , Gross:7kg
Operating temperature	32 °F~113 °F (0 °C to 45°C)
Storage temperature	-4 °F~140 °F (-20 °C to 60 °C)
Storage humidity	10% to 90% non-condensing
Anti-Vibration	17HZ-500 HZ 1G PTP
Anti-Shock	1G / peak( 11m sec)

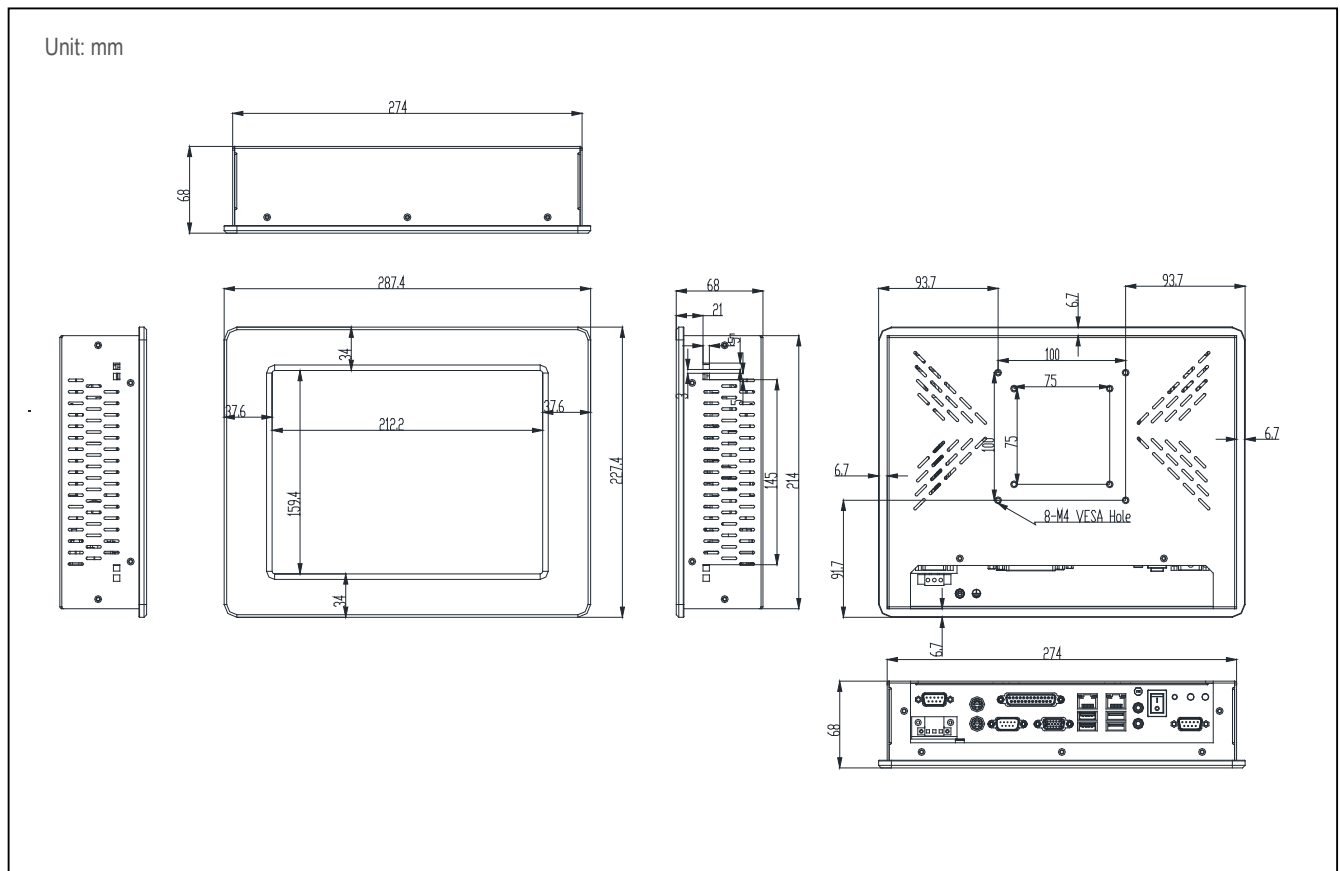
## Power Specifications

Input	100~240VAC,50/60Hz, external ac adapter
Output	DC12V, output 26W

## Ordering informations

IPC-10A	10.4 inches industrial panel PC, with Intel J1900 Processor, 2G RAM, 1TB HDD, 3xCOM(2* RS232,1*RS485), 1x LPT, 2x PS/2, 1xVGA, 4xUSB, 2xLAN, 1x Audio, MIC, Resistive Touch Screen, 12V power adapter
IPC-10AL	IPC-10A + Mini-PCIE wireless Lan card with antenna

## Dimensions Diagram





## Features

- 12.1" XGA TFT LCD Panel support 1024x768 pixels
- 6mm Aluminum front bezel with resistive touch screen
- Intel Celeron J1900 Quad Core 2.0G CPU
- Supports Windows XP, Win7/Win8/Win10, Linux
- 4xCOM(3\*S232,RS422/RS485) , 1x LPT, 2x PS/2, 1xVGA, 4xUSB2.0, 2xLAN, 1x Audio, MIC
- 1\* Mini PCIe slot for wifi optional
- Standard DC 12V input (Optional Wide range DC 9-36V input)
- Panel (Flush) mount with clips
- Standard VESA 75/100mm support stand , wall mount and swing arm

## Specifications

System	
Processor	Intel Celeron J1900 CPU
Chipset	Intel Bay trail SOC
Memory	DDR3 2G RAM(MAX 8G)
Graphic	Intel HD chipset
Storage	HDD 1TB (SSD optional)
Ethernet	2 x 100/1000 LAN ports
Vedio	1 x VGA
Audio	1x Mic-in, 1x Line-out
USB Port	4 x USB2.0
Serial Port	4*COM (3* RS232,1*RS422/485)
Keyboard/Mouse ports	2x PS/2
Parallel ports	1 x LPT (SPP/EPP/ECP port)
Power switch	1 x Power Switch
Expansive Slot	1 x Mini PCIe
Power supply	1 x DC input terminal connector
Construction	Front aluminum bezel and steel chassis

LCD Panel	
Display Type	12.1" XGA TFT LCD(LED backlight)
Resolution	1024 x 768
Max.color	16.2M
Luminance	500 cd/m2
View Angle	160°(H) , 160°(V)
Pixel Pitch	0.297 x 0.297 mm
Contrast Ratio	700:1
Response Time	35 ms
LCD MTBF	50, 000hrs

Touchscreen	
Type	Resistive Touchscreen with internal USB interface controller
Resolution	Continuous
Light Transmission	80% or more
Surface hardness	3H
Operating Force	≤100g
Life Expectancy	35 Millions

# IPC-12A

## Mechanical and Environmental

Dimensions (WxHxD)	322 x 247.5 x 70mm
Weight	Net: 5kg , Gross:8 kg
Operating temperature	32 °F~113 °F (0 °C to 45°C)
Storage temperature	-4 °F~140 °F (-20 °C to 60 °C)
Storage humidity	10% to 90% non-condensing
Anti-Vibration	17HZ-500 HZ 1G PTP
Anti-Shock	1G / peak( 11m sec)

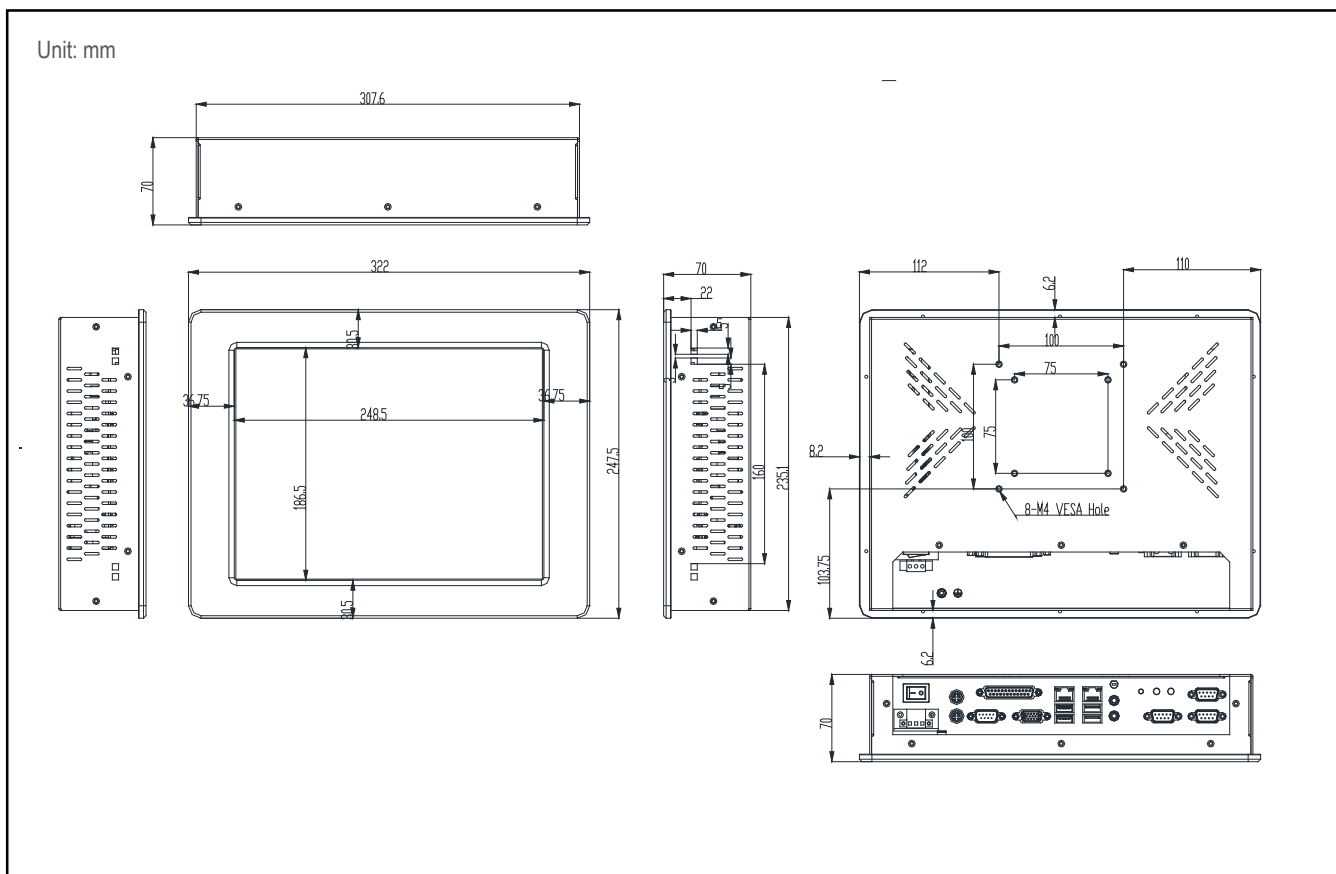
## Power Specifications

Input	100~240VAC,50/60Hz, external ac adapter
Output	DC12V, output 30W

## Ordering informations

IPC-12A	12.1 inches industrial panel PC, with Intel J1900 Processor, 2G RAM, 1TB HDD, 4xCOM(3* RS232,1*RS485), 1x LPT, 2x PS/2, 1xVGA, 4xUSB, 2xLAN, 1x Audio, MIC, Resistive Touch Screen, 12V power adapter
IPC-12AL	IPC-12A + Mini-PCIE wireless Lan card with antenna

## Dimensions Diagram





# IPC-15A

15" Industrial Panel PC with Intel Celeron J1900 CPU



## Features

- 15" XGA TFT LCD Panel support 1024x768 pixels
- 6mm Aluminum front bezel with resistive touch screen
- Intel Celeron J1900 Quad Core 2.0G CPU
- Supports Windows XP, Win7/Win8/Win10, Linux
- 6xCOM(5\*S232,1\*RS422/RS485) , 1x LPT, 2x PS/2, 1xVGA, 4xUSB2.0, 2xLAN, 1x Audio, MIC
- 1\* Mini PCIe slot for wifi optional
- Standard DC 12V input (Optional Wide range DC 9-36V input)
- Panel (Flush) mount with clips
- Standard VESA 75/100mm support stand , wall mount and swing arm

## Specifications

System	
Processor	Intel Celeron J1900 CPU
Chipset	Intel Bay trail SOC
Memory	DDR3 2G RAM(MAX 8G)
Graphic	Intel HD chipset
Storage	HDD 500G(SSD optional)
Ethernet	2 x 100/1000 LAN ports
Vedio	1 x VGA
Audio	1x Mic-in, 1x Line-out
USB Port	4 x USB2.0
Serial Port	6*COM (5* RS232,1*RS422/485)
Keyboard/Mouse ports	2x PS/2
Parallel ports	1 x LPT (SPP/EPP/ECP port)
Power switch	1 x Power Switch
Expansive Slot	1 x Mini PCIe
Power supply	1 x DC input terminal connector
Construction	Front aluminum bezel and steel chassis

LCD Panel	
Display Type	15" XGA TFT LCD(LED backlight)
Resolution	1024x768
Max.color	16.2M
Luminance	450 cd/m2
View Angle	160°(H) , 140°(V)
Pixel Pitch	0.297 x 0.297 mm
Contrast Ratio	700:1
Response Time	12 ms
LCD MTBF	50, 000hrs

Touchscreen	
Type	Resistive Touchscreen with internal USB interface controller
Resolution	Continuous
Light Transmission	80% or more
Surface hardness	3H
Operating Force	≤100g
Life Expectancy	35 Millions

# IPC-15A

## Mechanical and Environmental

Dimensions (WxHxD)	406 x 312 x 75mm
Weight	Net: 6.8kg , Gross:8.6kg
Operating temperature	32 °F~113 °F (0 °C to 45°C)
Storage temperature	-4 °F~140 °F (-20 °C to 60 °C)
Storage humidity	10% to 90% non-condensing
Anti-Vibration	17HZ-500 HZ 1G PTP
Anti-Shock	1G / peak( 11m sec)

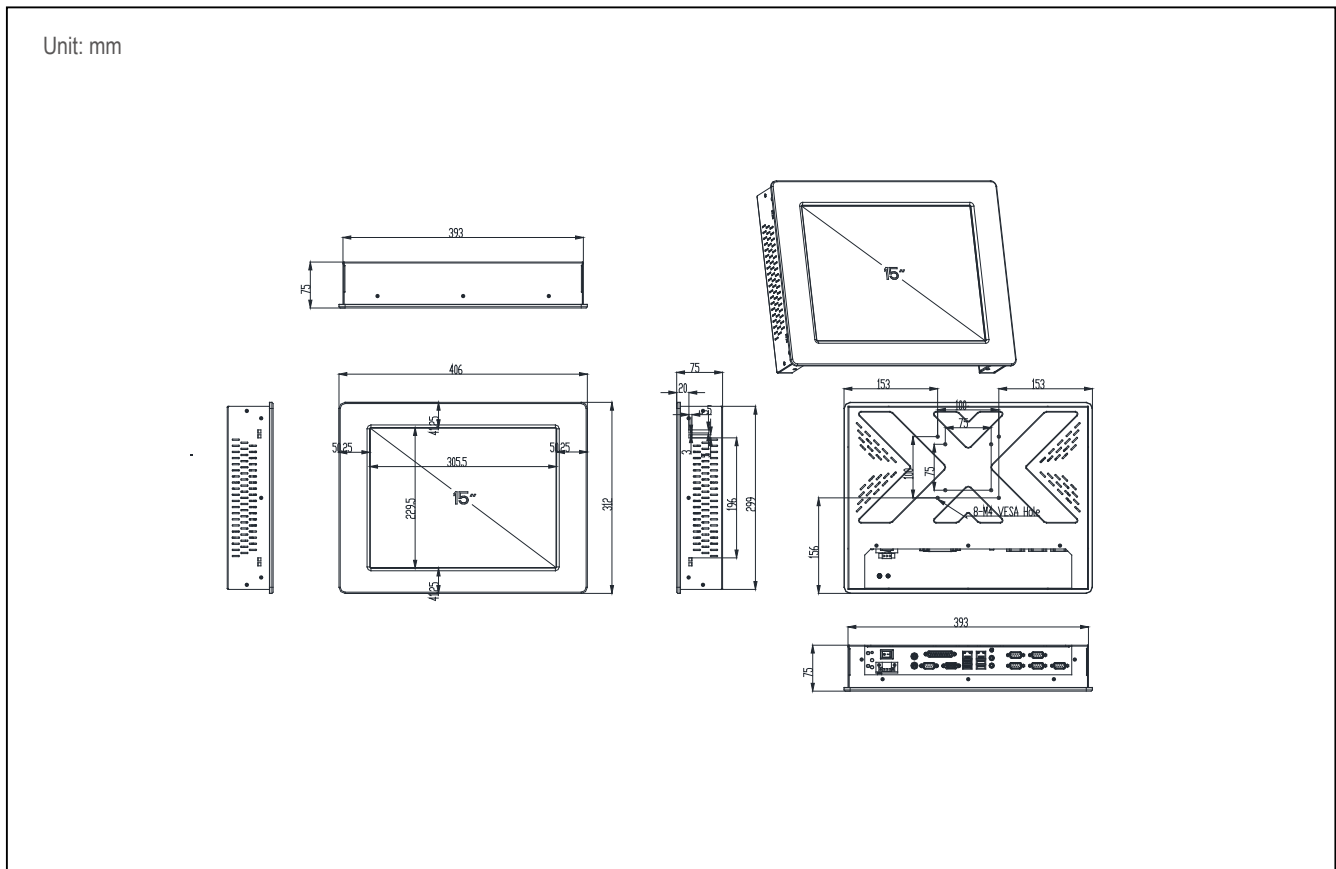
## Power Specification

Input	100~240VAC,50/60Hz, external ac adapter
Output	DC12V, output 40W

## Ordering information

IPC-15A	15 inches industrial panel PC, with Intel J1900 Processor, 2G RAM, 500G HDD, 6xCOM(5* RS232,1*RS485), 1x LPT, 2x PS/2, 1xVGA, 4xUSB, 2xLAN, 1x Audio, MIC, Resistive Touch Screen,12V power adapter,
IPC-15AL	IPC-15A + Mini-PCIE wireless Lan card with antenna

## Dimensions Diagram



# IPC-17A

17" Industrial Panel PC with 6xCOM 2xLAN 1xVGA&HDMI



## Features

- 19" SXGA TFT LCD Panel support 1280x1024 pixels
- 6mm Aluminum front bezel with resistive touch screen
- Intel Celeron J1900 Quad Core 2.0G CPU
- Supports Windows XP, Win7/Win8/Win10, Linux
- 6xCOM(5\*S232,1\*RS422/RS485) , 1x LPT, 2x PS/2, 1xVGA, 4xUSB2.0, 2xLAN, 1x Audio, MIC
- 1\* Mini PCIe slot for wifi optional
- Standard DC 12V input (Optional Wide range DC 9-36V input)
- Panel (Flush) mount with clips
- Standard VESA 75/100mm support stand , wall mount and swing arm

## Specifications

System	
Processor	Intel Celeron J1900 CPU
Chipset	Intel Bay trail SOC
Memory	DDR3 2G RAM(MAX 8G)
Graphic	Intel HD chipset
Storage	HDD 500G(SSD optional)
Ethernet	2 x 100/1000 LAN ports
Vedio	1 x VGA
Audio	1x Mic-in, 1x Line-out
USB Port	4 x USB2.0
Serial Port	6*COM (5* RS232,1*RS422/485)
Keyboard/Mouse ports	2x PS/2
Parallel ports	1 x LPT (SPP/EPP/ECP port)
Power switch	1 x Power Switch
Expansive Slot	1 x Mini PCIe
Power supply	1 x DC input terminal connector
Construction	Front aluminum bezel and steel chassis
LCD Panel	
Display Type	17" SXGA TFT LCD(LED backlight)
Resolution	1280*1024
Max.color	16.2M
Luminance	300 cd/m2
View Angle	170°(H) , 160°(V)
Pixel Pitch	0.297 x 0.297 mm
Contrast Ratio	1000:1
Response Time	8 ms
LCD MTBF	50, 000hrs
Touchscreen	
Type	Resistive Touchscreen with internal USB interface controller
Resolution	Continuous
Light Transmission	80% or more
Surface hardness	3H
Operating Force	≤100g
Life Expectancy	35 Millions

# IPC-17A

## Mechanical and Environmental

Dimensions (WxHxD)	432 x 346 x 79mm
Weight	Net: 7.5kg , Gross:9.2 kg
Operating temperature	32 °F~113 °F (0 °C to 45°C)
Storage temperature	-4 °F~140 °F (-20 °C to 60 °C)
Storage humidity	10% to 90% non-condensing
Anti-Vibration	17HZ-500 HZ 1G PTP
Anti-Shock	1G / peak( 11m sec)

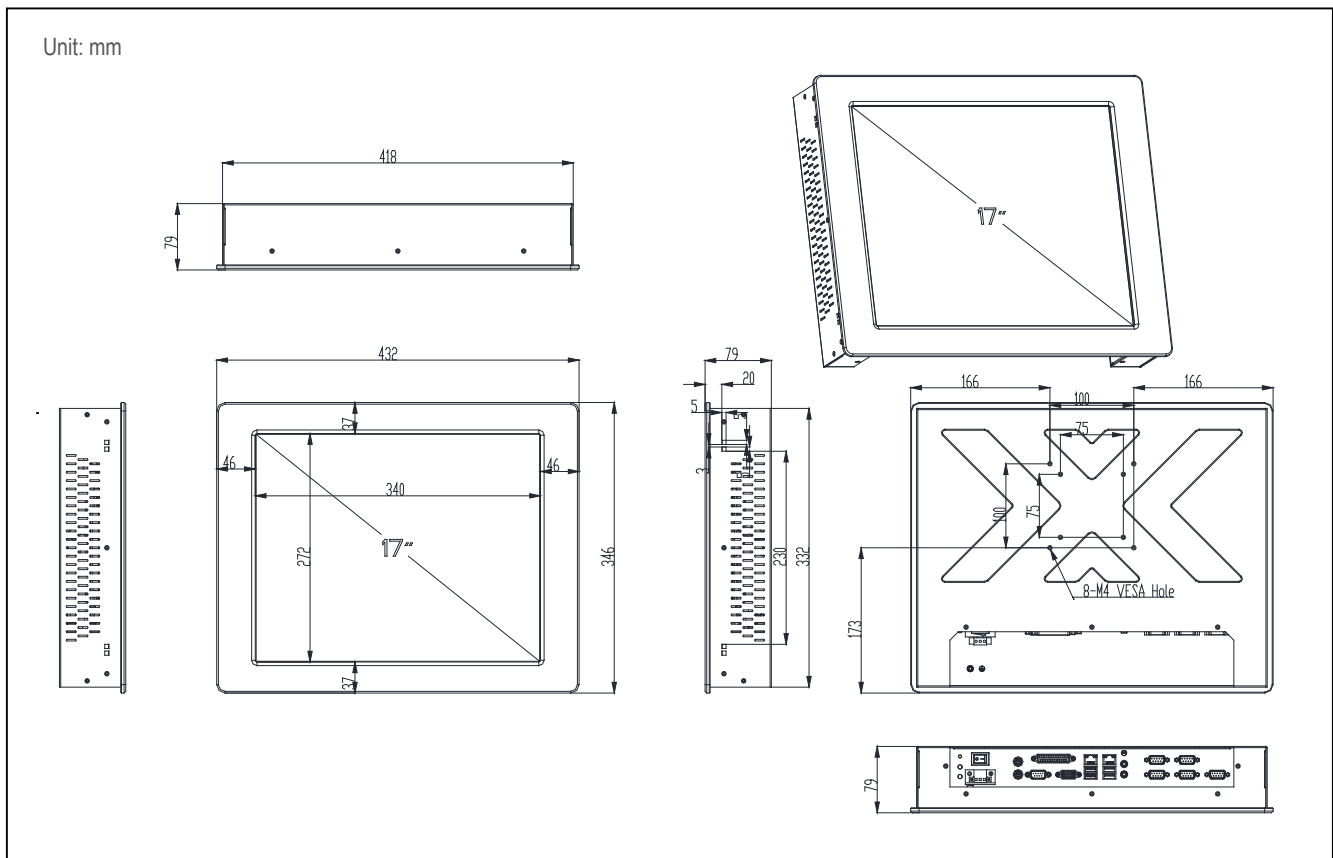
## Power Specification

Input	100~240VAC,50/60Hz, external ac adapter
Output	DC12V, output 40W

## Ordering information

IPC-17A	17 inches industrial panel PC, with Intel J1900 Processor, 2G RAM, 500G HDD, 6xCOM(5* RS232,1*RS485), 1x LPT, 2x PS/2, 1xVGA, 4xUSB, 2xLAN, 1x Audio, MIC, Resistive Touch Screen,12v power adapter,
IPC-17AL	IPC-17A + Mini-PCIE wireless Lan card with antenna

## Dimensions Diagram



# IPC-19A

19" Industrial Panel PC with Intel Celeron J1900 CPU



## Features

- 19" SXGA TFT LCD Panel support 1280x1024 pixels
- 6mm Aluminum front bezel with resistive touch screen
- Intel Celeron J1900 Quad Core 2.0G CPU
- Supports Windows XP, Win7/Win8/Win10, Linux
- 6xCOM(5\*S232,1\*RS422/RS485) , 1x LPT, 2x PS/2, 1xVGA, 4xUSB2.0, 2xLAN, 1x Audio, MIC
- 1\* Mini PCIe slot for wifi optional
- Standard DC 12V input (Optional Wide range DC 9-36V input)
- Panel (Flush) mount with clips
- Standard VESA 75/100mm support stand , wall mount and swing arm

## Specifications

System	
Processor	Intel Celeron J1900 CPU
Chipset	Intel Bay trail SOC
Memory	DDR3 2G RAM(MAX 8G)
Graphic	Intel HD chipset
Storage	HDD 500G(SSD optional)
Ethernet	2 x 100/1000 LAN ports
Vedio	1 x VGA
Audio	1x Mic-in, 1x Line-out
USB Port	4 x USB2.0
Serial Port	6*COM (5* RS232,1*RS422/485)
Keyboard/Mouse ports	2x PS/2
Parallel ports	1 x LPT (SPP/EPP/ECP port)
Power switch	1 x Power Switch
Expansive Slot	1 x Mini PCIe
Power supply	1 x DC input terminal connector
Construction	Front aluminum bezel and steel chassis
LCD Panel	
Display Type	19" SXGA TFT LCD(LED backlight)
Resolution	1280*1024
Max.color	16.2M
Luminance	300 cd/m2
View Angle	170°(H) , 160°(V)
Pixel Pitch	0.292 x 0.292 mm
Contrast Ratio	1000:1
Response Time	5 ms
LCD MTBF	50, 000hrs
Touchscreen	
Type	Resistive Touchscreen with internal USB interface controller
Resolution	Continuous
Light Transmission	80% or more
Surface hardness	3H
Operating Force	≤100g
Life Expectancy	35 Millions

# IPC-19A

## Mechanical and Environmental

Dimensions (WxHxD)	446 x 371x 79mm
Weight	Net: 8.0kg , Gross: 9.5 kg
Operating temperature	32 °F~113 °F (0 °C to 45°C)
Storage temperature	-4 °F~140 °F (-20 °C to 60 °C)
Storage humidity	10% to 90% non-condensing
Anti-Vibration	17HZ-500 HZ 1G PTP
Anti-Shock	1G / peak( 11m sec)

## Power Specification

Input	100~240VAC,50/60Hz, external ac adapter
Output	DC12V, output 40W

## Ordering information

IPC-19A	19 inches industrial panel PC, with Intel J1900 Processor, 2G RAM, 500G HDD, 6xCOM(5* RS232,1*RS485), 1x LPT, 2x PS/2, 1xVGA, 4xUSB, 2xLAN, 1x Audio, MIC, Resistive Touch Screen,12v power adapter,
IPC-19AL	IPC-19A + Mini-PCIE wireless Lan card with antenna

## Dimensions Diagram

