

IPC-12DF

Industrial Panel PC with 12.1" 1024x768 LCD Panel



Features

- 12.1" XGA TFT LCD Panel support 1024x768 pixels
- 5mm Aluminum front bezel with resistive touch screen
- IP65 compliant front panel
- Intel Celeron J1900 Quad Core 2.0G CPU
- Supports Windows Win7/Win8/Win10, Linux
- 1*RS232 + 1* RS422/485/232, 1x HDMI, 1xVGA, 4xUSB(1 usb 3.0), 2xLAN, 1x AUDIO, MIC
- 1* Mini PCIe slot for wifi optional
- Standard DC 12V input (optional Wide range DC 9-36V input)
- Panel (Flush) mount with clips
- Standard VESA 100mm holes support stand , wall mount and swing arm

Specifications

| System | |
|----------------|--|
| Processor | Intel Celeron J1900 CPU |
| Chipset | Intel Bay trail SOC |
| Memory | 4G RAM(MAX 8G) |
| Graphic | Intel HD chipset |
| Storage | SSD/HDD (Size optional) |
| Ethernet | 2 x 100/1000 LAN ports |
| Vedio | 1 x VGA, 1x HDMI |
| Audio | 1 x Mic-in / Line-out |
| USB Port | 4 x USB(1 x USB3.0) |
| Serial Port | 2 x COM(1x RS232 + 1x RS422/RS485/RS232) |
| Power switch | 1 x power switch |
| Expansive Slot | 1 x Mini PCIe |
| Power supply | 1 x DC input terminal connector |
| Construction | Front aluminum bezel and steel chassis |
| LCD Panel | |
| Display Type | 12.1" XGA TFT LCD(LED backlight) |
| Resolution | 1024 x 768 |
| Max.color | 16.2M |
| Luminance | 400 cd/m2 |
| View Angle | 160°(H) , 160°(V) |

| | |
|----------------|------------------|
| Pixel Pitch | 0.297 x 0.297 mm |
| Contrast Ratio | 300:1 |
| Response Time | 35 ms |
| LCD MTBF | 50, 000hrs |

| Available Options | |
|-------------------|-----------------------------|
| Touch screen | Resistive type touch screen |
| Wireless LAN | Meet IEEE802.11b/g standard |

| Mechanical and Environmental | |
|------------------------------|--------------------------------|
| IP Level | Front panel IP65-rated |
| Dimensions (WxHxD) | 315 x 250 x 50mm |
| Weight | Net: 4.7kg , Gross:7 kg |
| Operating temperature | -10°C~ 60°C (-14~140°F) |
| Storage temperature | -20°C ~ 70°C (-4 ~ 158°F) |
| Storage humidity | 5% to 95% @40°C non-condensing |
| Anti-Vibration | 17HZ-500 HZ 1G PTP |
| Anti-Shock | 1G / peak(11m sec) |

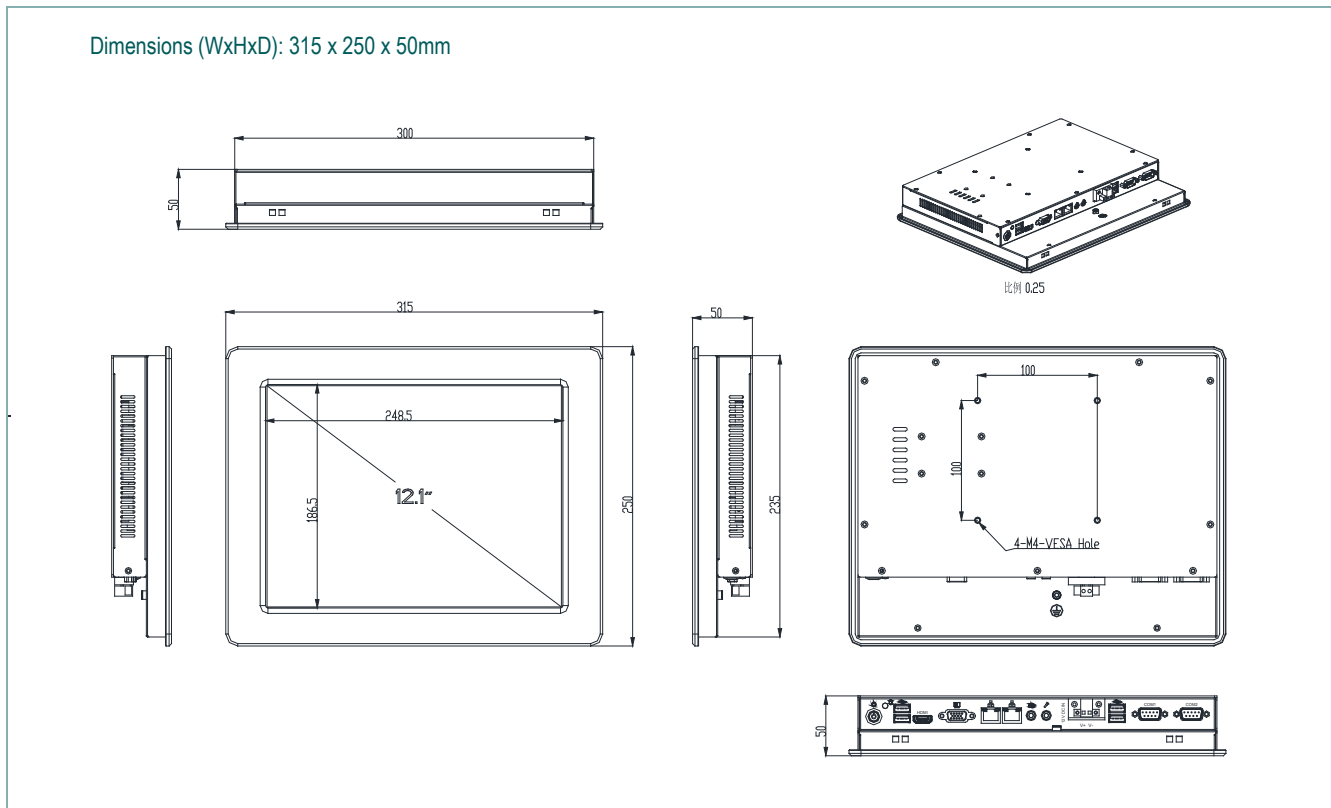
| Power Supply | |
|---------------------------|---|
| Input | 100~240VAC,50/60Hz, external ac adapter |
| Output | DC 12V, output 23W |
| DC Power Input (Optional) | Wide Range 9~36v DC input |

IPC-12DF

Pictures & Views



Dimensions Diagram



Ordering information

| Model | Descriptions |
|-----------|---|
| IPC-12DF | 12.1 inches industrial panel PC with Intel J1900 Processor, 4G RAM(MAX 8G RAM), SSD(Optional HDD), 2*COM , 1x HDMI, 1xVGA, 4xUSB(1 usb 3.0), 2xLAN, 1x AUDIO, MIC, Resistive Touch Screen |
| IPC-12DFL | IPC-12DF + Mini-PCIE wireless Lan card with antenna |